

Feb. 17, 1970

G. N. WILLIS ET AL

3,495,755

FLUID OPERATED INSERTING TOOL

Filed May 29, 1967

2 Sheets-Sheet 1

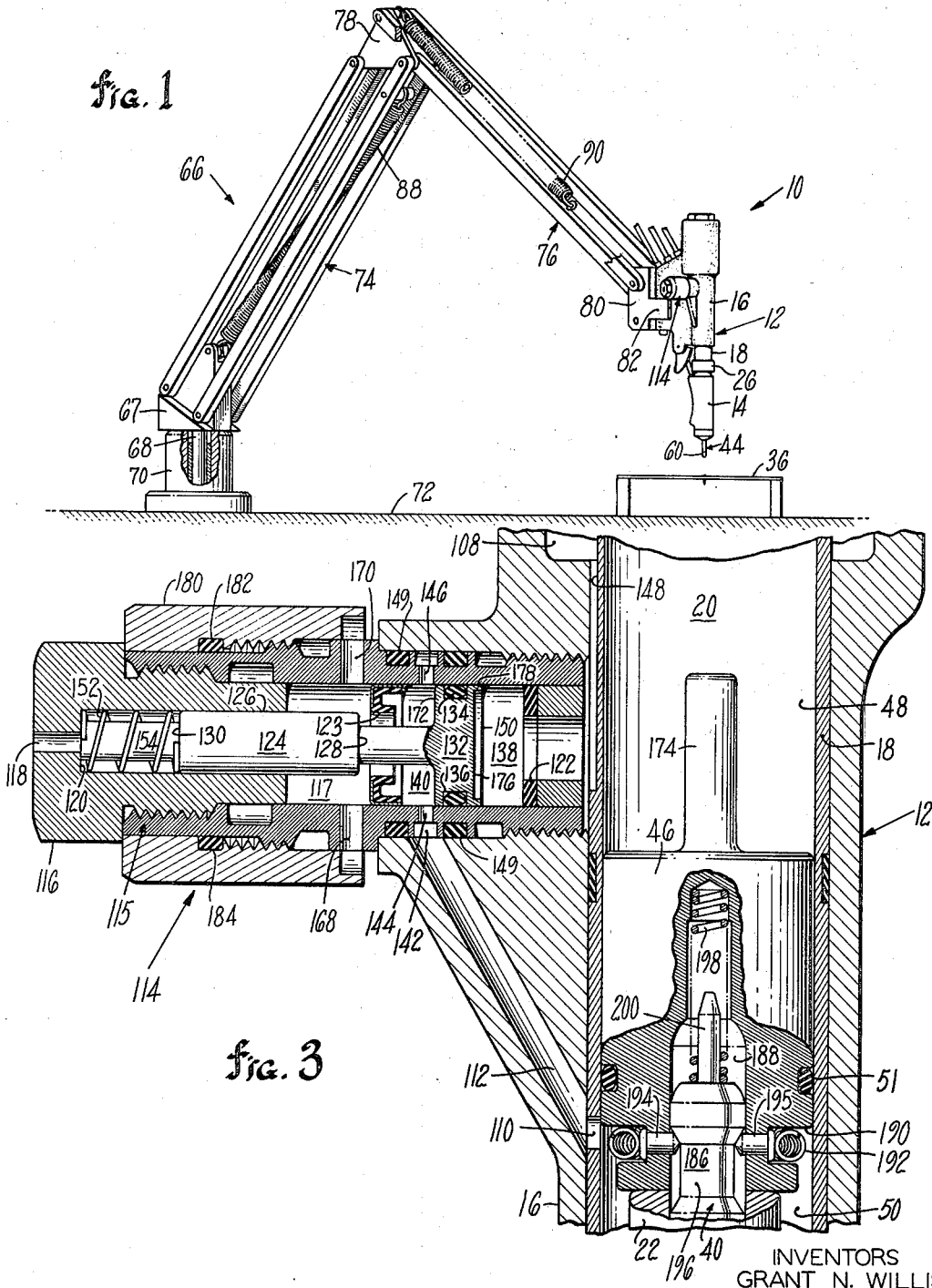


Fig. 1

Fig. 3

INVENTORS
GRANT N. WILLIS
IRVING Y. LAKE

BY
Lindsay, Putzmann and Hayes
ATTORNEYS